

Specifications

OPERATION

- Thermostatic function, keep the temperature at 38 Celsius degree
- Adjustable temperature, hot temperature maximum 56 Celsius degree, cold temperature minimum 15 Celsius degree, which is related to local water system

FLOW

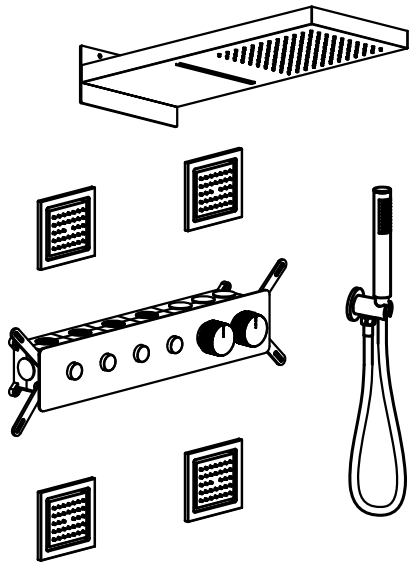
- Showerhead is limited to 2.5gpm(9.5L/min) at 80psi
- Handheld shower is limited to 2.5gpm(9.5L/min) at 80psi
- Bathtub spout is minimum to 2.4gpm(9.0L/min) at 20psi

CARTRIDGE

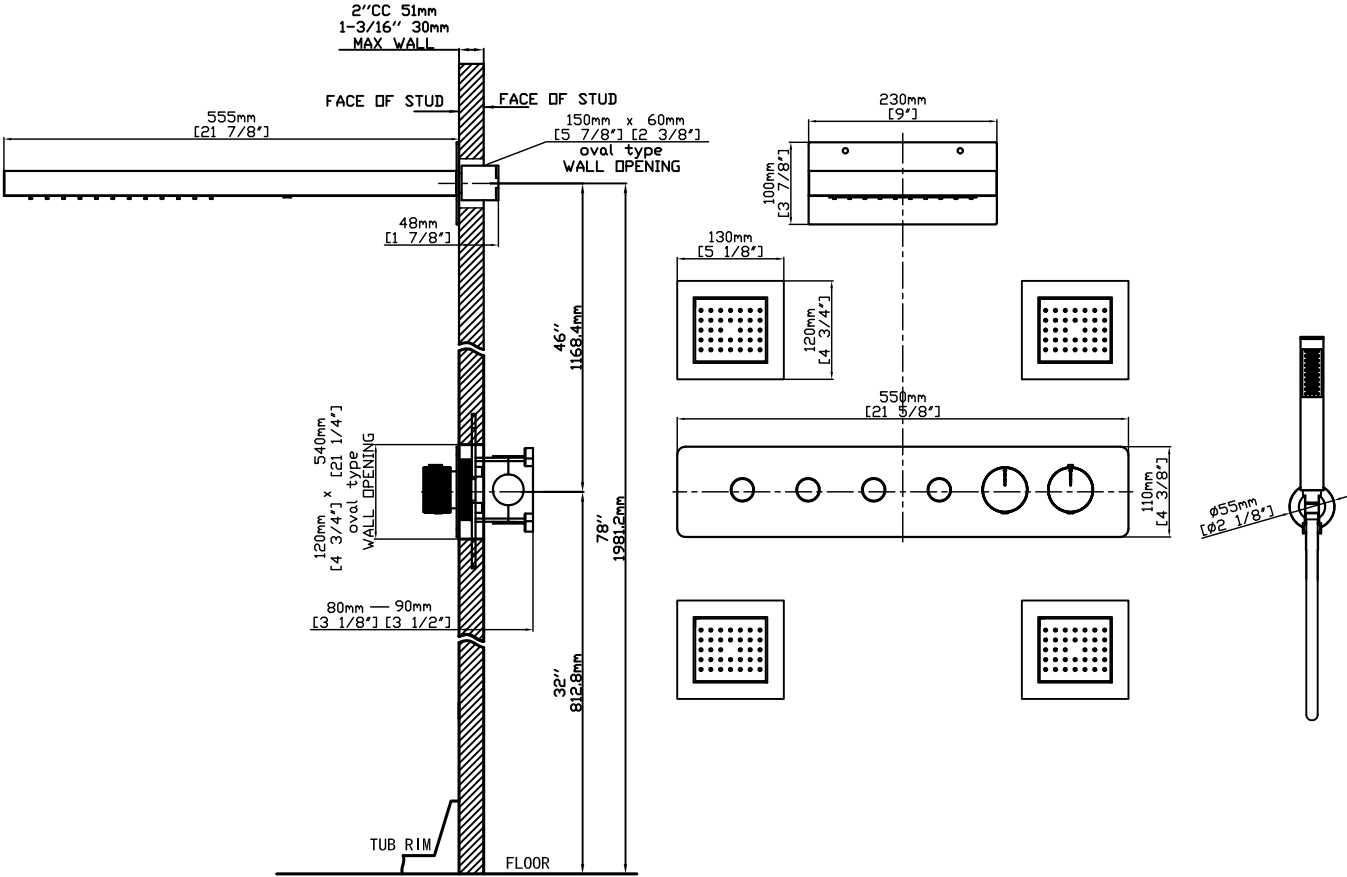
- Thermostatic cartridge

STANDARDS

- Third party certified to meet ASME A112.18.1 all applicable requirements referenced therein



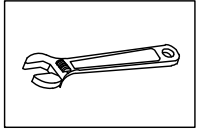
Four function Concealed Shower Set



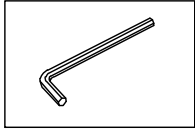
Note: Dimensions are for reference only. Detailed information is in accordance with the final product.

Four function Concealed Shower Set Installation

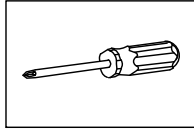
INSTALLATION MANUAL Tools You Will Need :



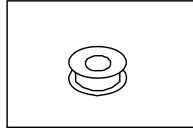
Adjustable wrench



Hexagon wrench



Phillips Screwdriver

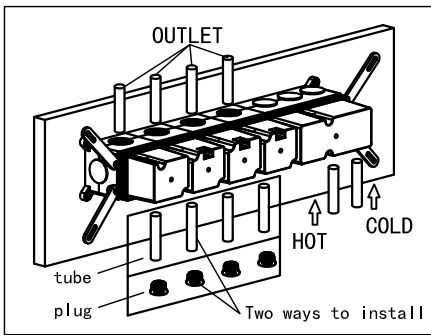


Pipe Tape

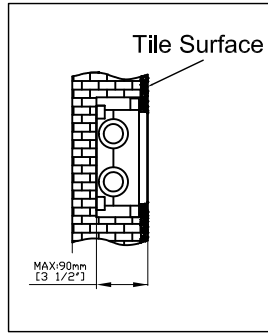
Notes before installation :

1. Please check that all components are present.
2. Before installation ensure that all feed lines are clear of debris and on/off valve is present.
3. Ensure water pressure is between 20-125 PSI (includes combination of hot and cold feed lines).
4. Pictures in the manual are general in content and may not represent exactly your purchased faucet. If you are having difficulties please contact a professional plumber.
5. If you will be away from home for an extended period you should shut off the main water supply.

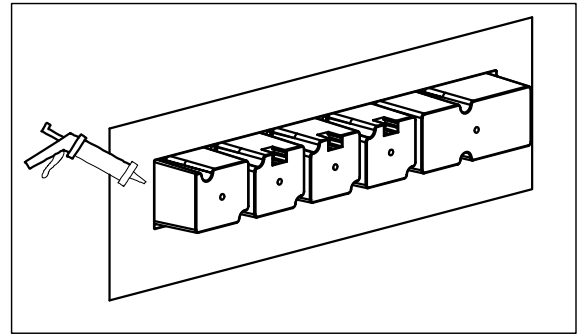
⚠ All valves pass air and water testing during manufacture. If request air test before installation, MUST under the guide of professional plumber, and air pressure DO NOT over 145PSI (=10KG).



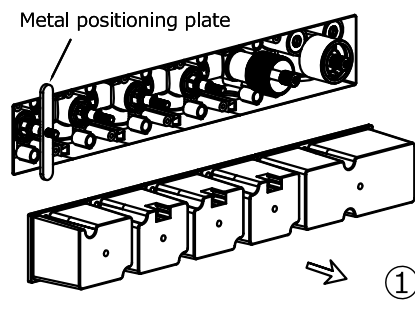
1. Confirm the installed place of the valve and fixed on the wall.



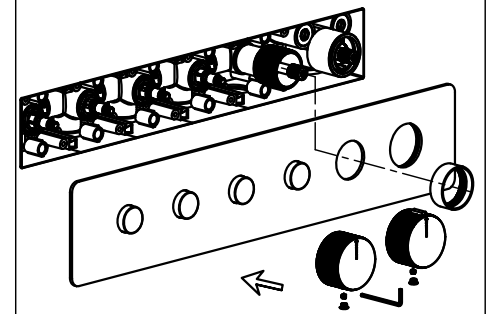
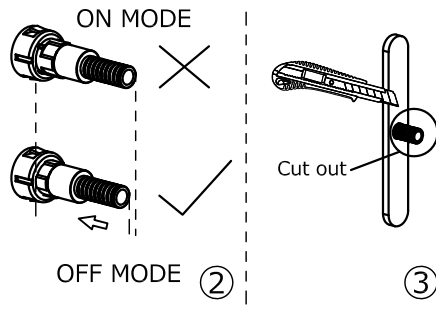
2. Laid the valve into the solid wall, the suitable depth is 90mm.



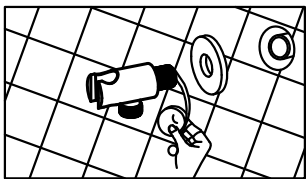
3. Use glue along the pre-install box to keep it stable.



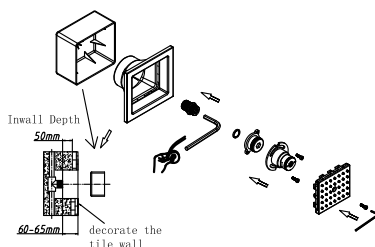
4.01. Remove protect cover. 02. Set the switches to off mode. 03. Use the metal positioning plate to flatten the exterior wall, and then cut out the extension part with a knife.



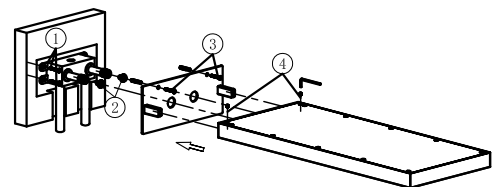
5. Put on the handle, then tight the screw.



6. Wrap the thread of spout with teflon tape (ensure it must wrap clockwise). Screw-in to the inlet pipe inside the wall, then install the decorative cover on the wall clingy.



7. Follow the picture shown assemble each accessories and so on.



8.01. Install valve body to wall and lock with screws.
02. Remove screws and washers from valve body.
03. Fixed the panel to the wall with screws.
04. Install the head shower with hex screw.